

NEW 2,000-Hour
Maintenance
Interval



Diesel Auxiliary Power Units

Comfort Without Compromise

*The Industry Benchmark
for a Fully Featured APU*



A POWERFUL

Combination



ComfortPro[®] diesel auxiliary power units (APUs) from Carrier Transicold are the trucking industry's all-around performance leaders.

No other APU offers the superior combination of air conditioning, heating, cab power, engine warming, truck battery charging, optional shore power connectivity and a 2,000-hour service interval found in the ComfortPro diesel units.



AC, HEAT and POWER

All Your Creature Comforts



For fleets, operator retention is more important than ever, and an APU is a benefit drivers appreciate. The ComfortPro® APU helps make the sleeper cab a comfortable sanctuary for a good night's rest after a long day of driving.

The air conditioning system produces plenty of cooling for respite from heat in southern climates and the summertime. And in the winter, the electric heating system keeps the cab comfortable, while the APU's

Winter Watch™ feature actively works to keep both the APU engine and truck engine warm, avoiding “cold starts” and “no starts” when it's time to roll out.

Whether running a microwave, TV, laptop or coffeemaker, the ComfortPro provides plenty of inverter-free, reliable electricity – over 5,000 watts of it – to run cabin household accessories. It will also charge your truck's batteries just as easily as it charges your smartphone.



LESS an ACCESSORY

And More a Necessity

Fuel Savings: Your New Profit Center

APUs are designed to save fuel, and a ComfortPro® diesel APU will save approximately a gallon of fuel per hour, compared to idling the truck engine.¹ The math is easy: If diesel fuel is \$2.50 a gallon and you idle 2,000 hours annually, the ComfortPro APU will save you \$5,000 a year in fuel costs. The savings from using a ComfortPro APU go straight to your bottom line.

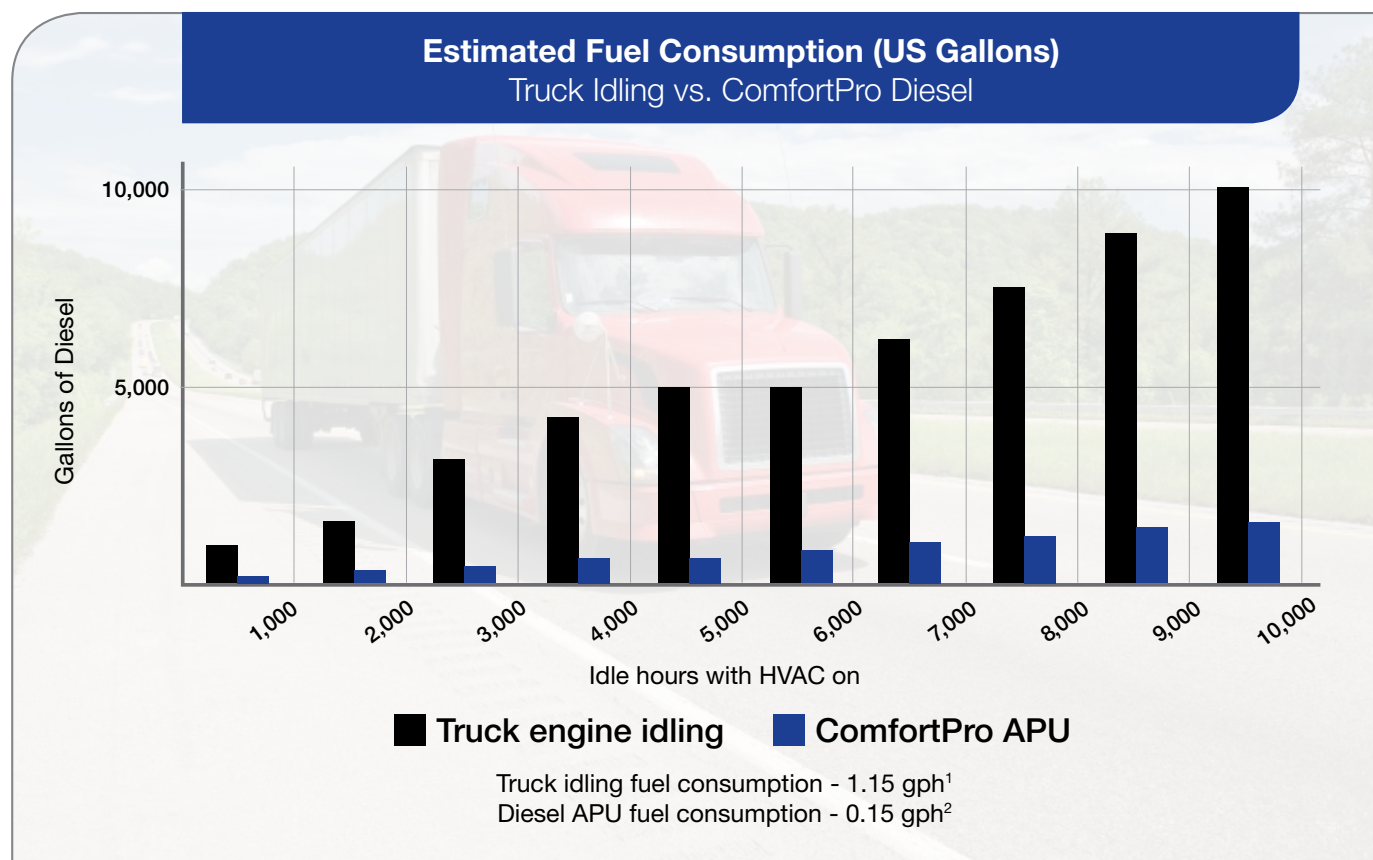
Reduced Tractor Idling: Today's Necessity

Cutting down on truck engine idling delivers even more benefits beyond fuel savings and emissions reduction. Cutting runtime for the truck engine extends service intervals while also reducing wear and tear on the engine.

That means reducing the risk of premature failure of costly truck engine components resulting from excessive idling.

Regulatory Compliance: A Fine Solution

Consistent use of the ComfortPro APU minimizes the risk of costly fines associated with anti-idling regulations and simplifies compliance with wide-ranging city, regional and state regulations.



1. 2014 NACFE "Confidence Report: Idle-Reduction/Diesel APUS" <http://www.truckingefficiency.org/idle-reduction/diesel-apus>
2. Fuel consumption will vary based on ambient temperature and tractor cab insulation characteristics.

WHAT YOU NEED in an APU

Rest Assured

Choose the APU That's Right for You

The ComfortPro® diesel APU line provides a complete range of anti-idling and comfort solutions, with several options to help you customize the solution to your specific needs. Please consult your Carrier Transicold dealer to determine which solution best suits your application.

NEW

Integrated Model (200INT) — In this fully featured system, coolant lines connect the APU to the tractor engine cooling system, with engine warming provided via APU coolant exchange.

NEW

Stand-alone Model* (210STA) — This unit provides similar capabilities to the integrated model, but tractor and APU coolant systems are independent. Tractor engine warming can be optionally done via the tractor's block heater, powered by the ComfortPro APU's generator, or with an engine coolant heater.

NEW

Power-only Model (220PWR) — Provides power for hotel loads and more in applications where no cab climate control is needed.

Accessorize Your System

The Shore Power option enables the APU's climate system to operate without running the APU's diesel engine when plugged in and powered by an adequate 110/120-volt source, saving fuel and maintenance costs while cutting emissions.

And More: Other accessories include a heat shield kit, an air intake shroud and the ClearSky® DPF.

** In some cases, the stand-alone model may provide compatibility advantages with newer high-pressure engines.*

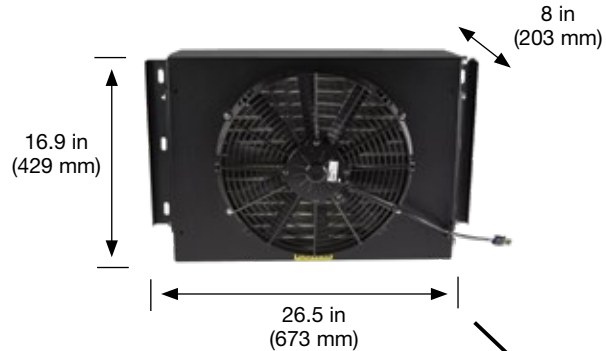


PERFORMANCE

Specifications

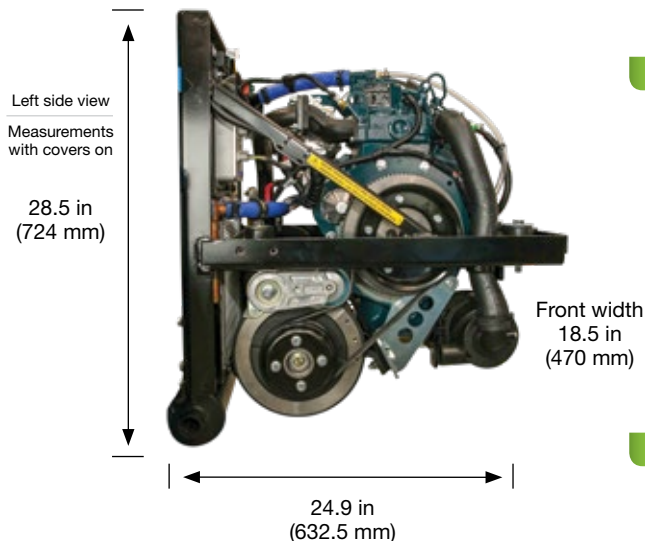
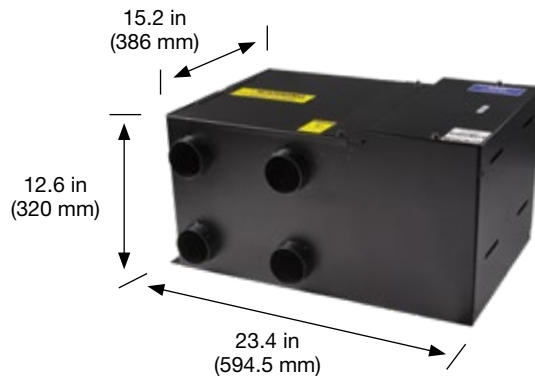
Condensing Unit

Located on backside of cab, away from the road environment, exhaust heat and vibration.



Under Bunk Climate Control Unit

Houses an efficient sealed electric compressor, electric heater and powerful blower.



APU Power Plant

NEW

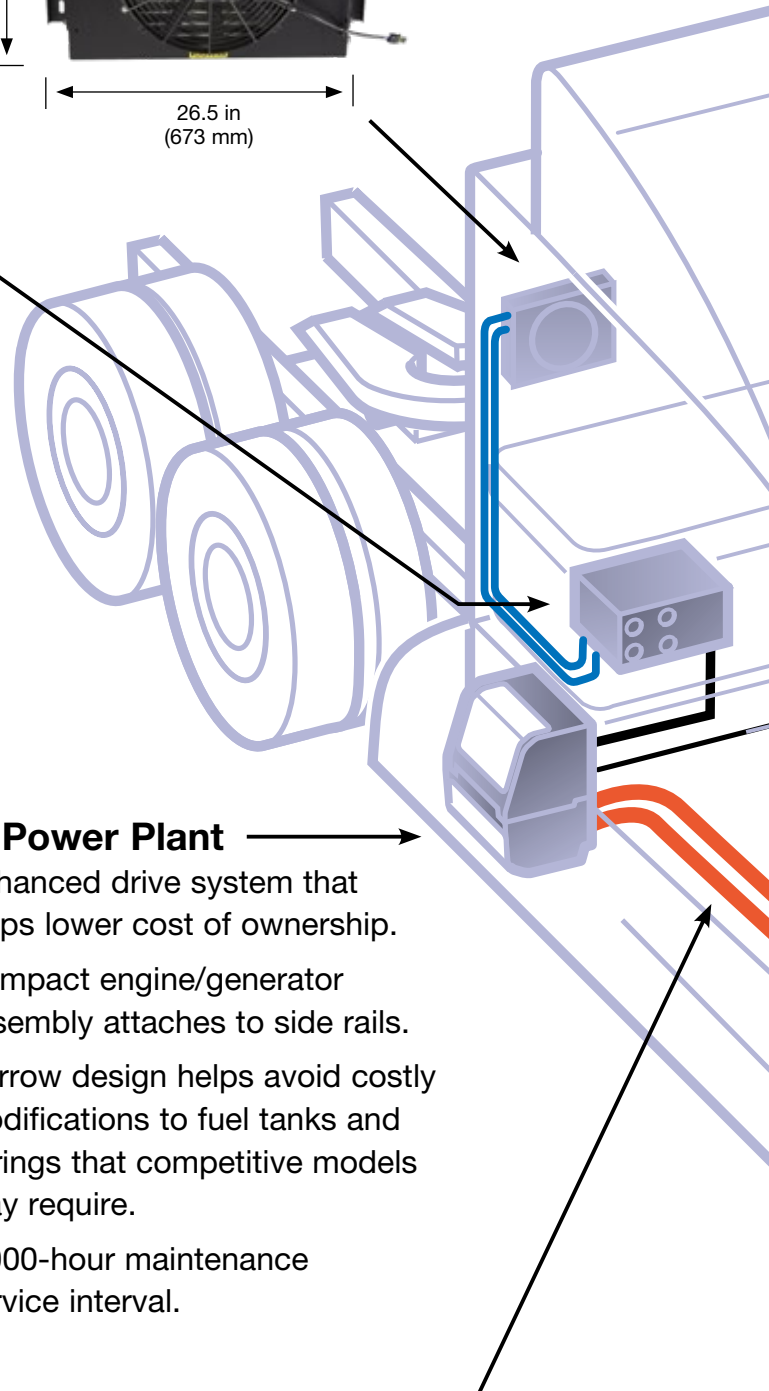
Enhanced drive system that helps lower cost of ownership.

- Compact engine/generator assembly attaches to side rails.
- Narrow design helps avoid costly modifications to fuel tanks and fairings that competitive models may require.

NEW

2,000-hour maintenance service interval.

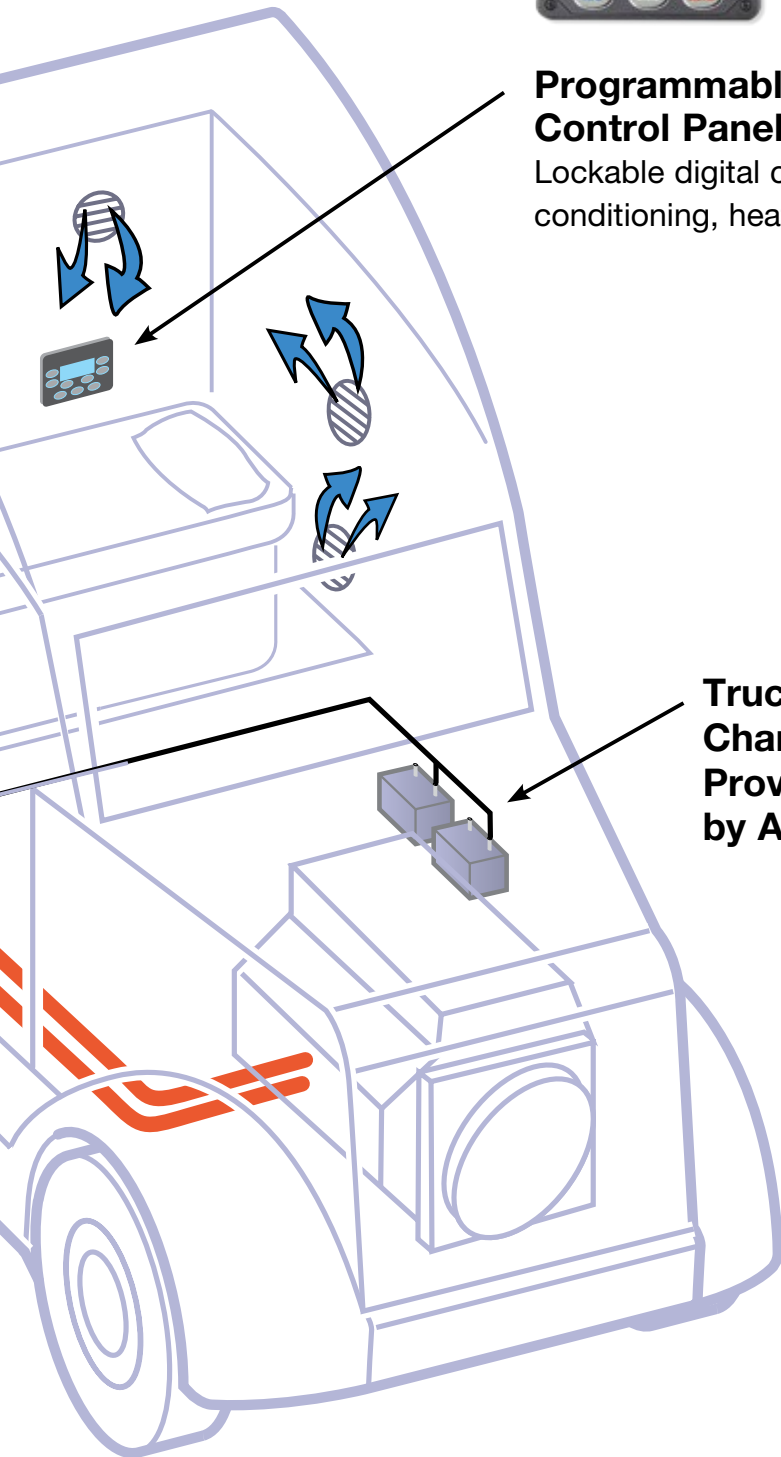
Heating Lines for Truck Engine Warming





Programmable User Control Panel

Lockable digital control for air conditioning, heating and fan.



Truck Battery Charging Provided by APU

APU Power Plant

Tier 4 final 2 cylinder diesel engine

Alternator 60 Amps @

12-15 volts DC

Generator, 6kW rating @

110/120V, 60Hz AC

5.2kW available power

Weight: 375 lbs.

Under Bunk Climate Control Unit

Airflow, 650 cfm

Air Conditioning 12,000 BTU/hr

Hermetic compressor

Refrigerant R-134a

Heating

Up to 10,000 BTU/hr

Weight: 85 lbs.

Condenser

Maintenance-free fan motor

Weight: 27 lbs.

Control Panel

Programmable heat and cool

Configurable features:

Fuel-saving comfort

monitor mode

Battery monitor

Low-temperature start

Diagnostics with time stamped

and stored fault codes

Accessories and Options

Shore power adapter

(Enables the APU to switch over to

110/120-volt household power)

ClearSky® DPF

Air intake shroud

Stand-alone heat shield kit

Integrated unit illustrated.
Stand-alone and power-only models differ.

BENEFITS

In any Season



Heating

Electric heat system



Truck Engine Pre-heat

Eliminates cold starts



Shore Power*

Eliminates fuel consumption, reduces noise



Reliability

Sealed enclosure to protect APU from road spray, rain and snow



Easy Maintenance

Quick and easy access to all serviceable components. 2,000-hour maintenance service interval

**Designates option.*





Cooling

Powerful air conditioning system



Hotel Power

High quality 120 VAC power via 6k W generator



Charging

Auto-charges when truck batteries run low



Quiet

Interior sound dampening reduces noise



Fuel Savings

Immediate as soon as you power up the ComfortPro

OUR GOAL

Providing the Best APU



ComfortPro® APUs are proudly manufactured in the United States by a specialized workforce at Carrier Transicold's Athens, Georgia, flagship facility. Our ISO-certified plant uses a variety of advanced manufacturing technologies and processes that are tightly controlled and designed for maximum productivity.

Carrier Transicold's manufacturing philosophy is centered on safety, sustainability, and state-of-the-art technology, with the ultimate goal of delivering the highest-quality product at the best price.

- ISO 9001 and ISO 14001 Process Certification
- OSHA Voluntary Protection Program Star Status
- Automated processes and Lean Manufacturing



TRUSTED

Dealer Support Network

The **ComfortPro® APU** is available throughout North America exclusively through the customer-focused Carrier Transicold Dealer Network.

No other network is better trained or better equipped to provide the professional personnel and superior technical support that you depend on to maintain and service your ComfortPro APU.

- 180 locations across North America
- 24/7 service access
- Rigorous factory training for technicians
- Comprehensive critical parts stocking
- Expert service and repairs, bumper-to-bumper, coast-to-coast

Trust Carrier Transicold's dealer network to handle your maintenance and service so you can focus on your customers.





Diesel Auxiliary Power Units

Comfort Without Compromise

Provides sleeper cab air conditioning and heating

Powers household accessories

2,000-hour maintenance interval

Charges the truck batteries

Enhanced drive system

Warms the truck engine

Compatible with shore power

Monitors battery charge



For the latest spec's and details visit carrier.com/comfortpro

Specifications are subject to change without notice.

Warranty: Product warranty and limitations are outlined in Form 62-12074.

This warranty is applicable only in North America. Consult your Carrier Transcold representative for warranty coverage elsewhere. Form 62-11099 Rev. J.

North America
Carrier Transcold
700 Olympic Drive
Athens, GA 30601 USA

Central America and Mexico
Carrier Transcold
Ejercito Nacional 253-A Piso 5
Colonia Anahuac
11320 Mexico D.F.



©2018 Carrier Corporation. Printed in USA 11/18.

Carrier, Carrier Transcold and ComfortPro are registered trademarks of Carrier Corporation.

www.trucktrailer.carrier.com